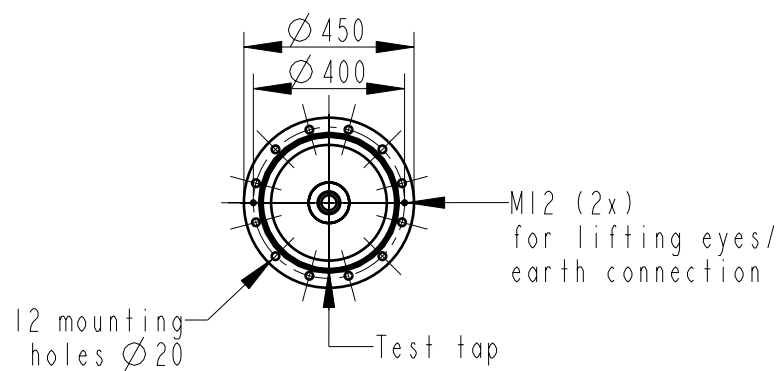
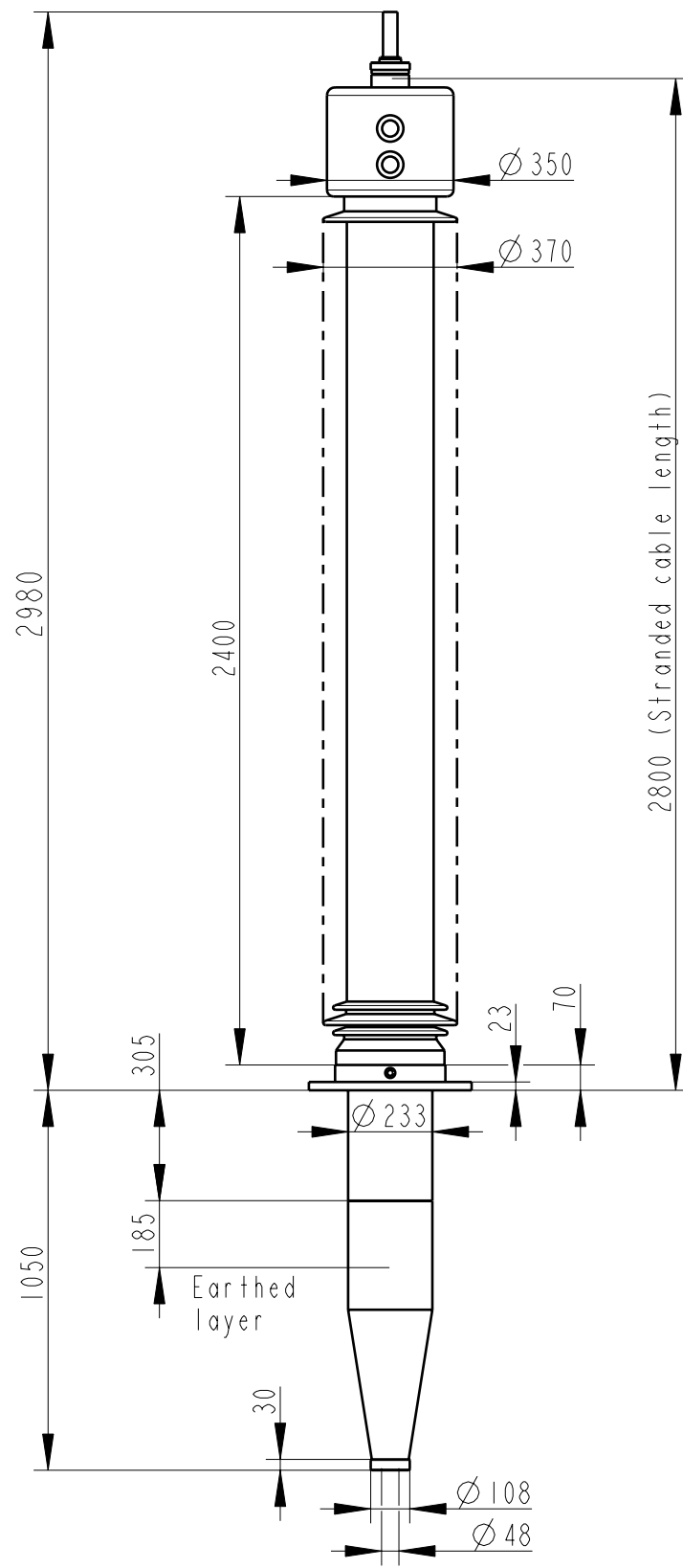
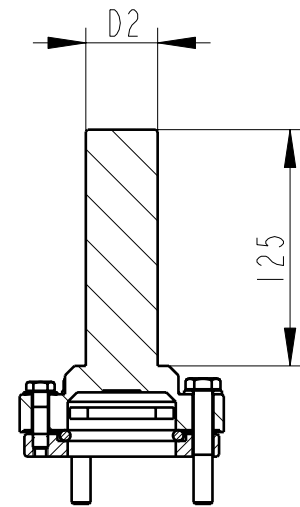


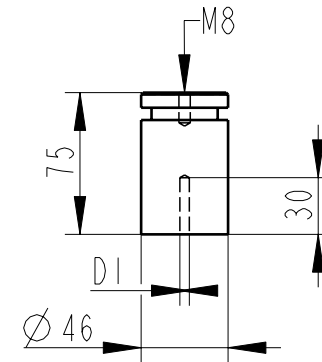
We reserve all rights in this document and in the information contained therein. Reproduction, use or disclosure to third parties without express authority is strictly forbidden. ©ABB



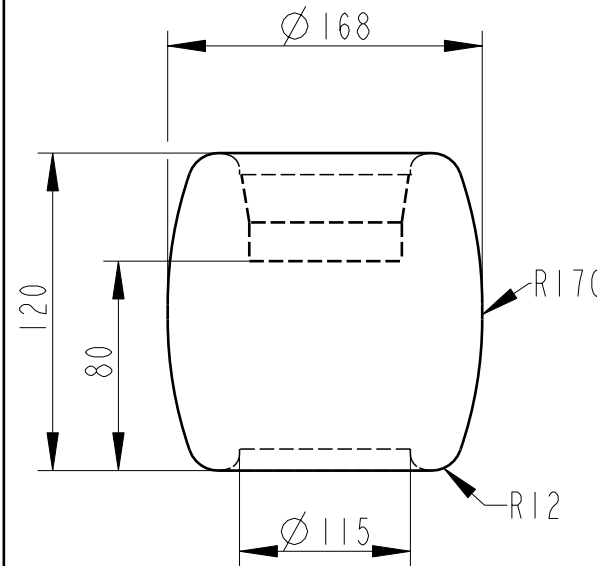
OUTER TERMINAL



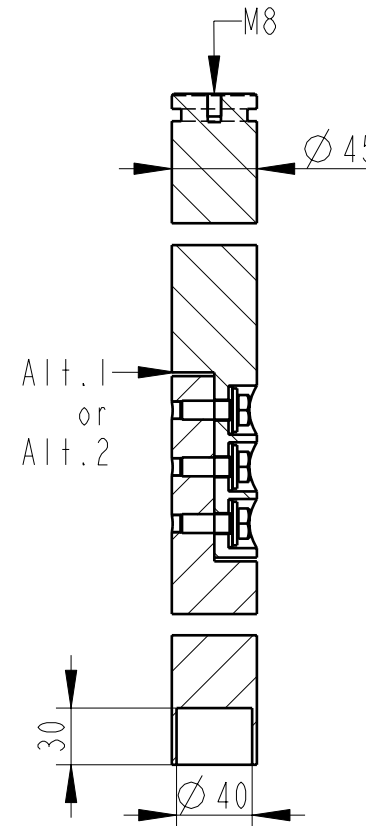
INNER TERMINAL FOR STRANDED CABLE



END SHIELD



SOLID ROD CONNECTOR



The solid rod can be divided either:
 Alt.1: 20mm below the bushing flange or
 Alt.2: 20mm below the upper end of the bottom porcelain

Bushing Data:

Rated Voltage	245	kV
Phase to Ground Voltage	200	kV
Dry Lightning Impulse 1,2/50µs	1050	kV
Wet Switching Impulse	850	kV
Wet power frequency AC	550	kV
Routine test 1min dry 50Hz	505	kV
Rated Current	1600	A
Creepage Distance	7750±200	mm
Mass	390	kg

Ordering Data:

BUSHING		COLOUR AIR INSULATOR
LF 125 060-E		BROWN
LF 125 060-M		LIGHT GREY
OUTER TERMINAL		Material
LF 170 017-BA	Al	D2
LF 170 017-BC	Al	Ø 30
LF 170 017-BB	Cu	Ø 60
LF 170 017-BH	Cu	Ø 30
OTHER TYPES ON REQUEST		
INNER TERMINAL FOR STRANDED CABLE		
For brazing		Conductor area
LF 170 018-AB		up to 95mm ²
LF 170 018-AC		Ø 15
LF 170 018-AD		up to 285 mm ²
LF 170 018-AA		Ø 30
LF 170 018-AA		up to 740 mm ²
LF 170 018-AA		Ø 42
LF 170 018-AA		Undrilled with pilot hole Ø 5
SOLID ROD CONNECTOR		
LF 170 032-AG for Alt.1		
LF 170 032-AK for Alt.2		
END SHIELD		Insulation
LF 170 020-R		Epoxy
LF 170 020-U		Pressboard (thickness 3mm)

ABB Components Ludvika, Sweden	
No.	
Ur/Ur	kV Ir
LI / SI / AC	A 50/60 Hz
M	kg L mm V
C1	pF Tan δ
C2	pF Tan δ

Based on	Reg. No.	Title GOM 1050-850-0.3	Language 82
Prepared Lövnord	Responsible department COM/BK 0043		
Approved Johansson	Take over department	Page 1(1)	Document No. 2751369-233
Design engineering review Gutman	Database		
ABB ABB Components			